



SERVICE BULLETIN

TOPIC: Sync Motor

NUMBER: 01-16-002

SUPERSEDES: 110625A, 110509, 41162A

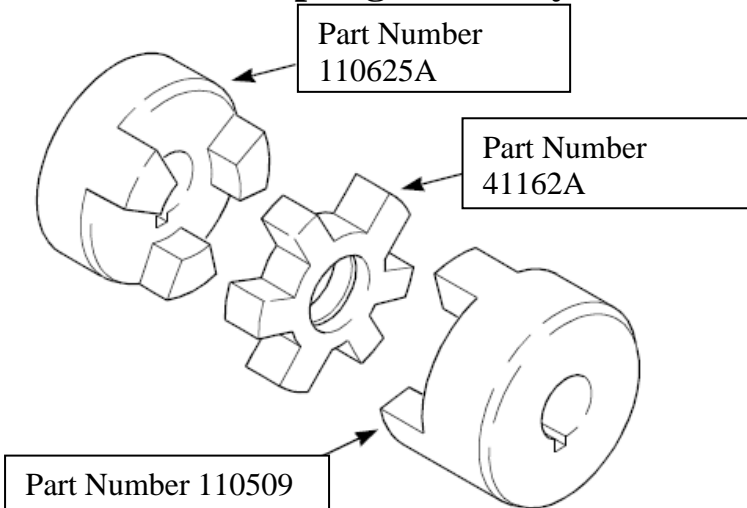
DATE: January 7, 2016

MODELS APPLICABLE TO:	TEST METHOD:	ROUTE TO
<input checked="" type="checkbox"/> F-1/F-2 Combination	D 2699, D 2700	<u>Distributor/End User</u>
F-4 Supercharge	D 909	_____
F-5 Cetane	D613	_____

SUBJECT: New Compression Ratio Motor Coupling

This service bulletin is to inform customers that a new Compression Motor Coupling Assembly (Part Number 111862) that will now be utilized for the Compression Ratio Motor Drive. Part number 111862 will consist of both hub drives and the spider coupling. This new coupling assembly supersedes part numbers 110625A, 110509 and 41162A which previously made up the old compression ratio coupling assembly. The new coupling is a direct fit to existing current shafts (both CR motor drive and clamping sleeve worm shaft) currently in the field so no modifications are required by the customer. For additional information contact your locate CFR distributor.

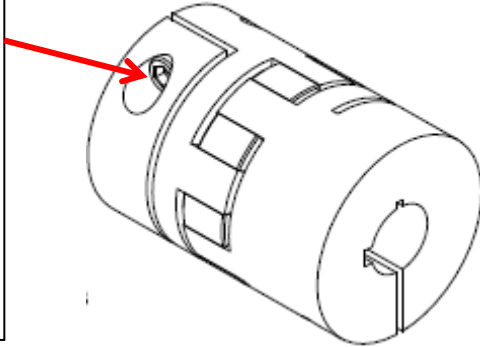
Old CR Motor Coupling Assembly





New CR Motor Coupling Assembly

New Coupling Assembly. Part number 111862
Hex head screw is torqued to 11 ft. lbs. after installed on the motor drive shaft and the worm drive shaft.



For additional information please contact your local CFR distributor.

Best regards,

Dan Bemis
CFR Service Manager
CFR Engines Inc.